

-BS Taper Bore Sprockets

Teeth	Outer Dia de	Pitch Dia dp	Simplex					Duplex					Triplex				
			Ref	Hub Dia dm	Length thro Bore A	Taper Bush	Type	Ref	Hub Dia dm	Length thro Bore A	Taper Bush	Type	Ref	Hub Dia dm	Length thro Bore A	Taper Bush	Type
17	55.3	51.83	31-17	45	22	1008	1	32-17	41	22	1008	3	33-17	-	25.6	1008	9
18	58.3	54.85	31-18	45	22	1008	1	32-18	43	22	1008	3					
19	61.3	57.87	31-19	45	22	1008	1	32-19	46	22	1008	3	33-19	-	25.6	1008	9
20	64.3	60.89	31-20	46	22	1008	1	32-20	48	22	1008	3					
21	68.0	63.91	31-21	46	22	1008	1	32-21	49	22	1008	3	33-21	-	25.6	1008	9
22	71.0	66.93	31-22	50	22	1108	1	32-22	52	22	1108	3					
23	73.5	69.95	31-23	63	25	1210	1	32-23	59	25	1210	3	33-23	-	25.6	1210	9
24	77.0	72.97	31-24	63	25	1210	1	32-24	61	25	1210	3					
25	80.0	76.02	31-25	63	25	1210	1	32-25	64	25	1210	3	33-25	-	25.6	1210	9
26	83.0	79.02	31-26	63	25	1210	1	32-26	65	25	1210	3					
27	86.0	82.02	31-27	63	25	1210	1	32-27	70	25	1210	3	33-27	-	25.6	1210	7
28	89.0	85.07	31-28	63	25	1210	1	32-28	70	25	1210	3					
30	94.7	91.12	31-30	63	25	1210	1	32-30	75	25	1210	3	33-30	79.0	38.0	1615	7
38	119.5	115.35	31-38	70	25	1210	1	32-38	80	25	1610	3	33-38	90.0	36.0	1615	7
45	140.7	136.55	31-45	70	25	1210	1	32-45	80	25	1610	3					
57	176.9	172.91	31-57	70	25	1210	2	32-57	80	25	1610	4					
76	234.9	230.49	31-76	70	25	1210	2	32-76	80	25	1610	4					
95	292.5	288.08	31-95	80	25	1210	2	32-95	90	25	1610	4					

06B 3/8" x 7/32"

SPROCKET	mm	CHAIN	mm	
Tooth Radius r ₃	10.0	Pitch	9.525	
Chamfer c	1.0	Width Between Inner Plates	5.720	
Tooth Width b ₁	5.2	Roller Diameter	6.350	
Tooth Width B ₁	5.3			
Tooth Width B ₂	15.4			
Tooth Width B ₃	25.6			

Type 1 (C45)	Type 2 (GG22)	Type 3 (C45)	Type 4 (GG22)	Type 9 (C45)	Type 7 (C45)



-BS Taper Bore Sprockets

Teeth	Outer Dia de	Pitch Dia dp	Simplex					Duplex					Triplex				
			Ref	Hub Dia dm	Length thro Bore A	Taper Bush	Type	Ref	Hub Dia dm	Length thro Bore A	Taper Bush	Type	Ref	Hub Dia dm	Length thro Bore A	Taper Bush	Type
15	65.5	61.90	41-15	45	22	1008	1	42-15	46	22	1008	3	43-15	-	34.9	1008	9
16	69.5	65.10	41-16	50	22	1108	1	42-16	50	22	1108	3					
17	73.6	69.11	41-17	60	25	1210	1	42-17	56	25	1210	3	43-17	-	34.9	1210	9
18	77.8	73.14	41-18	60	25	1210	1	42-18	60	25	1210	3					
19	81.7	77.16	41-19	63	25	1210	1	42-19	62	25	1210	3	43-19	-	34.9	1210	9
20	85.8	81.19	41-20	71	25	1610	1	42-20	66	25	1610	3					
21	89.7	85.22	41-21	71	25	1610	1	42-21	70	25	1610	3	43-21	-	34.9	1610	9
22	93.8	89.24	41-22	71	25	1610	1	42-22	76	25	1610	3					
23	98.2	93.27	41-23	76	25	1610	1	42-23	79	25	1610	3	43-23	-	34.9	1610	9
24	101.8	97.29	41-24	76	25	1610	1	42-24	84	25	1610	3					
25	105.8	101.33	41-25	76	25	1610	1	42-25	87	32	2012	3	43-25	-	34.9	2012	9
26	110.0	105.36	41-26	76	25	1610	1	42-26	87	32	2012	3					
27	114.0	109.40	41-27	76	25	1610	1	42-27	87	32	2012	3	43-27	-	34.9	2012	9
28	118.0	113.42	41-28	90	32	2012	1	42-28	87	32	2012	3					
30	126.1	121.50	41-30	90	32	2012	1	42-30	87	32	2012	3	43-30	-	34.9	2012	9
38	158.6	153.80	41-38	90	32	2012	1	42-38	100	32	2012	3	43-38	-	34.9	2012	9
45	188.0	182.07	41-45	100	32	2012	1	42-45	100	32	2012	4					
57	236.4	230.54	41-57	100	32	2012	2	42-57	100	32	2012	4					
76	313.3	307.33	41-76	100	32	2012	2	42-76	100	32	2012	4					
95	390.1	384.11	41-95	100	32	2012	2	42-95	100	32	2012	4					

08B 1/2" x 5/16"

SPROCKET	mm	CHAIN	mm	
Tooth Radius r_3	13.0	Pitch	12.700	
Chamfer c	1.3	Width Between Inner Plates	7.750	
Tooth Width b1	7.0	Roller Diameter	8.510	
Tooth Width B1	7.2			
Tooth Width B2	21.0			
Tooth Width B3	34.9			

Type 1 (C45)	Type 2 (Gg22)	Type 3 (C45)	Type 4 (GG22)	Type 9 (C45)

-BS Taper Bore Sprockets

Teeth	Outer Dia de	Pitch Dia dp	Simplex					Duplex					Triplex				
			Ref	Hub Dia dm	Length thro Bore A	Taper Bush	Type	Ref	Hub Dia dm	Length thro Bore A	Taper Bush	Type	Ref	Hub Dia dm	Length thro Bore A	Taper Bush	Type
13	73.0	66.32	51-13	47	22	1008	1										
14	78.0	71.34	51-14	52	22	1108	1										
15	83.0	76.36	51-15	60	25	1210	1	52-15	-	25.5	1210	3	53-15	-	42.1	1210	9
16	88.0	81.37	51-16	70	25	1610	1	52-16	-	25.5	1610	3					
17	93.0	86.36	51-17	71	25	1610	1	52-17	-	25.5	1610	3	53-17	-	42.1	1210	9
18	98.3	91.42	51-18	75	25	1610	1	52-18	-	25.5	1610	3					
19	103.3	96.45	51-19	75	25	1610	1	52-19	-	25.5	1610	3	53-19	-	42.1	1615	9
20	108.4	101.49	51-20	75	25	1610	1	52-20	-	25.5	1610	3					
21	113.4	106.52	51-21	76	25	1610	1	52-21	-	25.5	1610	3	53-21	-	42.1	1615	9
22	118.0	111.55	51-22	76	25	1610	1	52-22	-	25.5	1610	3					
23	123.4	116.58	51-23	76	25	1610	1	52-23	-	25.5	1610	3	53-23	-	42.1	2012	9
24	128.3	121.62	51-24	90	25	1610	1	52-24	90	32.0	2012	6					
25	134.0	126.66	51-25	90	32	2012	1	52-25	90	32.0	2012	6	53-25	105	45.0	2517	7
26	139.0	131.70	51-26	90	32	2012	1	52-26	90	32.0	2012	6					
27	144.0	136.75	51-27	90	32	2012	1	52-27	90	32.0	2012	6	53-27	110	45.0	2517	7
28	148.7	141.78	51-28	90	32	2012	1	52-28	90	32.0	2012	6					
30	158.8	151.87	51-30	90	32	2012	1	52-30	90	32.0	2012	6	53-30	120	45.0	2517	7
38	199.2	192.24	51-38	100	32	2012	1	52-38	108	45.0	2517	6					
45	235.0	227.58	51-45	100	32	2042	2										
57	296.0	288.18	51-57	100	32	2012	2										
76	392.1	384.16	51-76	100	32	2012	2										
95	488.5	480.14	51-95	110	45	2517	2										

10B 5/8" x 3/8"

SPROCKET

Tooth Radius r_3 16.0

Chamfer c 1.6

Tooth Width b_1 9.0

Tooth Width B_1 9.1

Tooth Width B_2 25.5

Tooth Width B_3 42.1

CHAIN

Pitch 15.875

Width Between Inner Plates 9.650

Roller Diameter 10.160

Type 1 (C45)

Type 2 (GG22)

Type 3 (C45)

Type 6 (C45)

Type 9 (C45)

Type 7 (C45)

-BS Taper Bore Sprockets

Teeth	Outer Dia de	Pitch Dia dp	Simplex					Duplex					Triplex					
			Ref	Hub Dia dm	Length thro Bore A	Taper Bush	Type	Ref	Hub Dia dm	Length thro Bore A	Taper Bush	Type	Ref	Hub Dia dm	Length thro Bore A	Taper Bush	Type	
13	87.5	79.59	61-13	60	25	1210	1											
14	93.6	85.61	61-14	70	25	1610	1											
15	99.8	91.63	61-15	70	25	1610	1	62-15	-	30.3	1610	5	63-15	-	49.8	1615	9	
16	105.5	97.65	61-16	75	25	1610	1	62-16	-	30.3	1610	5						
17	111.5	103.67	61-17	76	25	1610	1	62-17	-	30.3	1610	5	63-17	-	49.8	1615	9	
18	118.0	109.71	61-18	90	32	2012	1	62-18	90.0	32.0	2012	3						
19	124.2	115.75	61-19	90	32	2012	1	62-19	90.0	32.0	2012	3	63-19	-	49.8	2012	9	
20	129.7	121.78	61-20	90	32	2012	1	62-20	108.0	45.0	2517	3						
21	136.0	127.82	61-21	102	45	2517	1	62-21	108.0	45.0	2517	3	63-21	-	49.8	2517	9	
22	141.8	133.86	61-22	102	45	2517	1	62-22	108.0	45.0	2517	3						
23	149.0	139.90	61-23	108	45	2517	1	62-23	108.0	45.0	2517	3	63-23	-	49.8	2517	9	
24	153.9	145.94	61-24	108	46	2517	1	62-24	108.0	45.0	2517	3						
25	160.0	152.00	61-25	108	45	2517	1	62-25	108.0	45.0	2517	3	63-25	-	49.8	2517	9	
26	165.9	158.04	61-26	108	45	2517	1	62-26	108.0	45.0	2517	3						
27	172.3	164.00	61-27	108	45	2517	1	62-27	108.0	45.0	2517	3	63-27	140.0	51.0	3020	7	
28	178.0	170.13	61-28	108	45	2517	1	62-28	108.0	45.0	2517	3						
30	190.5	182.25	61-30	108	45	2517	1	62-30	108.0	45.0	2517	3	63-30	140.0	51.0	3020	7	
38	239.0	230.69	61-38	108	45	2517	1	62-38	140.0	51.0	3020	3	63-38	140.0	51.0	3020	7	
45	282.5	273.10	61-45	108	45	2517	2	62-45	140.0	51.0	3020	4	63-45	140.0	51.0	3020	8	
57	355.4	345.81	61-57	108	45	2517	2	62-57	140.0	51.0	3020	4	63-57	140.0	51.0	3020	8	
76	469.9	460.99	61-76	108	45	2517	2	62-76	140.0	51.0	3020	4	63-76	140.0	51.0	3020	8	
95	585.1	576.17	61-95	108	45	2517	2	62-95	140.0	51.0	3020	4	63-95	140.0	76.0	3030	8	

12B 3/4" x 7/16"

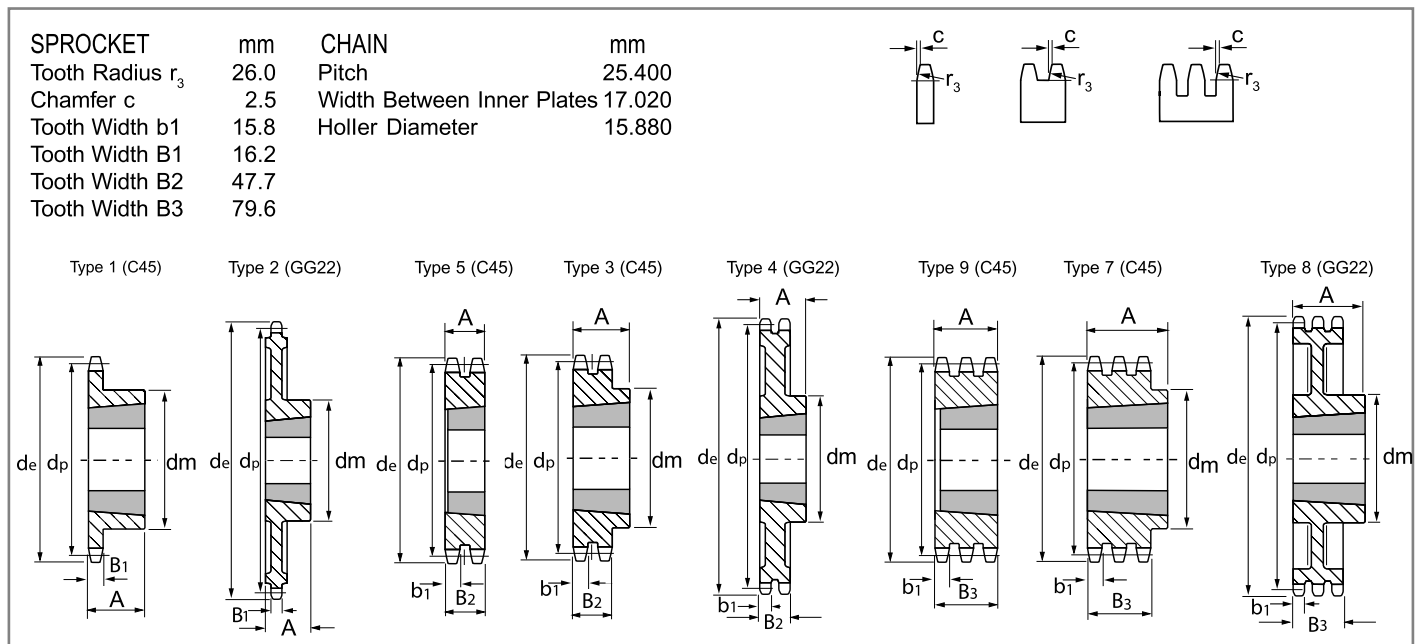
SPROCKET	mm	CHAIN	mm				
Tooth Radius r_3	19.0	Pitch	19.050				
Chamfer c	2.0	Width Between Inner Plates	11.680				
Tooth Width b_1	10.8	Roller Diameter	12.070				
Tooth Width B1	11.1						
Tooth Width B2	30.3						
Tooth Width B3	49.8						

Type 1 (C45)	Type 2 (GG22)	Type 5 (C45)	Type 3 (C45)	Type 4 (GG22)	Type 9 (C45)	Type 7 (C45)	Type 8 (GG22)

-BS Taper Bore Sprockets

Teeth	Outer Dia de	Pitch Dia dp	Simplex					Duplex					Triplex				
			Ref	Hub Dia dm	Length thro Bore A	Taper Bush	Type	Ref	Hub Dia dm	Length thro Bore A	Taper Bush	Type	Ref	Hub Dia dm	Length thro Bore A	Taper Bush	Type
13	117.0	106.12	81-13	73	38	1615	1										
14	125.0	114.15	81-14	76	38	1615	1										
15	133.0	122.17	81-15	76	38	1615	1	82-15	-	47.7	2012	5					
16	141.0	130.20	81-16	90	32	2012	1	82-16	-	47.7	2517	5					
17	149.0	138.22	81-17	90	32	2012	1	82-17	-	47.7	2517	5	83-17	-	79.6	2517	9
18	157.0	146.28	81-18	108	45	2517	1	82-18	-	47.7	2517	5					
19	165.2	154.33	81-19	108	45	2517	1	82-19	-	47.7	2517	5	83-19	-	79.6	3030	9
20	173.2	162.38	81-20	108	45	2517	1	82-20	-	47.7	2517	5					
21	181.2	170.43	81-21	110	45	2517	1	82-21	140.0	51.0	3020	3	83-21	-	79.6	3030	9
22	189.3	178.48	81-22	110	45	2517	1	82-22	140.0	51.0	3020	3					
23	197.5	186.53	81-23	110	45	2517	1	82-23	140.0	51.0	3020	3	83-23	159.0	89.0	3535	7
24	205.5	194.59	81-24	110	45	2517	1	82-24	140.0	51.0	3020	3					
25	213.5	202.66	81-25	110	45	2517	1	82-25	140.0	51.0	3020	3	83-25	175.0	89.0	3535	7
26	221.6	210.72	81-26	110	45	2617	1	82-26	140.0	51.0	3020	3					
27	229.6	218.79	81-27	110	45	2617	1	82-27	140.0	51.0	3020	3	83-27	175.0	89.0	3535	7
28	237.7	226.85	81-28	110	45	2517	1	82-28	140.0	51.0	3020	3					
30	254.0	243.00	81-30	140	51	3020	1	82-30	140.0	76.0	3030	3	83-30	175.0	89.0	3535	7
38	320.7	307.59	81-38	140	51	3020	2	82-38	140.0	76.0	3030	4	83-38	175.0	89.0	3535	8
45	377.1	364.13	81-45	140	51	3020	2	82-45	140.0	76.0	3030	4	83-45	215.0	102.0	4040	8
57	474.0	461.07	81-57	140	51	3020	2	82-57	175.0	89.0	3535	4	83-57	215.0	102.0	4040	8
76	627.0	614.65	81-76	140	51	3020	2	82-76	175.0	89.0	3535	4	83-76	215.0	102.0	4040	8
95	781.1	768.22	81-95	140	51	3020	2	82-95	215.0	102.0	4040	4	83-95	215.0	102.0	4040	8

16B 1" x 17.02mm



-BS Taper Bore Sprockets

Teeth	Outer Dia De	Pitch Dia dp	Ref	Hub Dia dm	Simplex Length thro Bore A	Taper Bush	Type
13	147.8	132.65	101-13	90	32	2012	1
14	157.8	142.68	101-14	108	44	2517	1
15	167.9	152.72	101-15	108	44	2517	1
16	177.9	162.75	101-16	108	44	2517	1
17	187.9	172.78	101-17	108	44	2517	1
18	198.0	182.85	101-18	108	44	2517	1
19	208.1	192.91	101-19	110	44	2517	1
20	218.1	202.98	101-20	110	44	2517	1
21	228.2	213.04	101-21	110	44	2517	1
22	238.3	223.11	101-22	110	44	2517	1
23	248.3	233.17	101-23	110	44	2517	1
24	258.4	243.23	101-24	110	44	2517	1
25	268.5	253.33	101-25	110	44	2517	1
26	278.6	263.40	101-26	110	51	3020	1
27	288.6	273.80	101-27	150	51	3020	1
28	298.7	283.56	101-28	150	51	3020	1
30	318.9	303.75	101-30	150	51	3020	1
38	399.6	384.49	101-38	160	51	3020	2
45	470.3	455.17	101-45	160	51	3020	2
57	591.5	576.36	101-57	160	51	3020	2
76	783.5	768.32	101-76	160	51	3020	2

20B 1.1/4" x 3/4"

SPROCKET	mm	CHAIN	mm	
Tooth Radius r_3	32.0	Pitch	31.750	
Chamfer c	3.5	Width Between Inner Plates	19.560	
Tooth Width b1	18.2	Roller Diameter	19.050	
Tooth Width B1	18.5			
Tooth Width B2	54.6			
Tooth Width B3	91.0			

Type 1 (C45)

Type 2 (GG22)